



Stainless Steel Spectra III™ Series

BACK BOX AND LOWER DOME

Product Features

- All Stainless Steel Construction
- Built-in Back Box Memory
- 7 Alarm Inputs; 2 Programmable Auxiliary Outputs
- Built-in Surge and Limited Lightning Protection
- Compatible with All Spectra III SE and Spectra III Dome Drives
- Bubble Constructed of Optically Clear Acrylic
- Environmental Pendant Model Only
- Indoor/Outdoor Applications
- Meets NEMA Type 4X and IP66 Standards



**ENVIRONMENTAL PENDANT
BB53-PSG-E AND LD53PSB-1
(SHOWN WITH IDM4012SS WALL MOUNT)**

Pelco's **Stainless Steel Spectra III™** is designed for harsh environmental installations and meets NEMA Type 4X and IP66 standards.

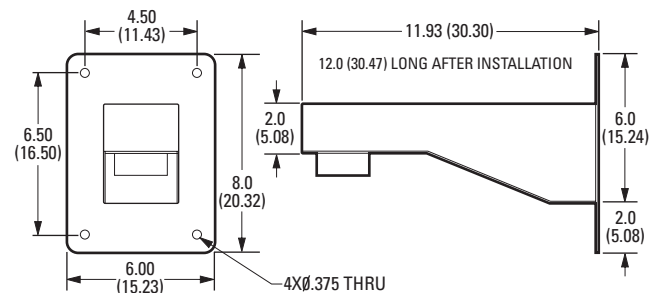
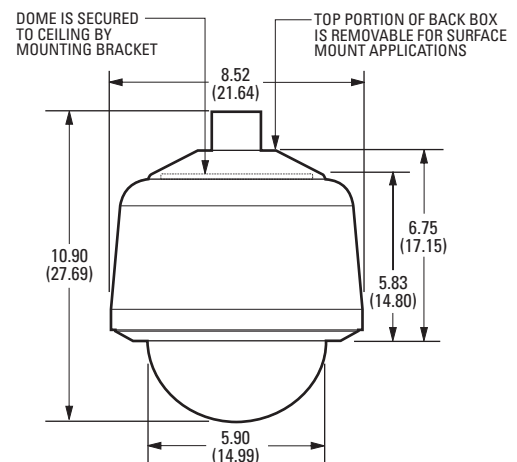
The components (back box and lower dome) provide added protection against corrosive conditions. The pendant-style back box (**BB53-PSG-E**) is constructed of Type 316 Stainless Steel (SS) and includes a sun shield (also constructed of Type 316 SS), heater and fan. The lower dome features a trim ring constructed of Type 316 SS and an optically clear bubble that is available in smoked (**LD53PSB-0**) or clear (**LD53PSB-1**) acrylic.

The **Stainless Steel Spectra III** has all the features of the Spectra III SE dome system (built-in back box memory, two auxiliary outputs, seven alarm inputs) and is also compatible with all Spectra III SE and Spectra III dome drives.

Camera and lens options for the **Stainless Steel Spectra III** include:

- Color/black-white camera, 80X wide dynamic range, motion detection, LowLight™ technology, and 23X optical zoom with 10X electronic zoom
- High-resolution color camera with an EXview HAD™ CCD, LowLight technology 22X optical zoom with 12X electronic zoom
- High-resolution monochrome camera with an EXview HAD CCD, LowLight technology and a 22X optical zoom with 12X electronic zoom
- High-resolution color camera with LowLight technology 16X optical zoom with 8X electronic zoom

For an alternative mounting option use the **IDM4012SS** wall mount. The **IDM4012SS** mount is designed specifically for the **Stainless Steel Spectra III Series** and features all stainless steel construction and conduit access in the bottom and back of the mount.



NOTE: VALUES IN PARENTHESES ARE CENTIMETERS; ALL OTHERS ARE INCHES.



DataFAX
SPEC: 22437
MANUAL: 224376

C2437 / REVISED 9-03

IP66



International Organization
for Standardization;
Registered ISO 9001



TECHNICAL SPECIFICATIONS

SYSTEM MODEL NUMBERS

Back Box Type	Lower Dome	SPECTRA III		SPECTRA III SE	
		16X Color*	23X Color/B-W*	22X Color*	22X Monochrome*
Environmental Pendant	Smoked	SD53TC-PSGEO	SD53CBW-PSGEO	SD53C22-PSGEO	SD53M22-PSGEO
	Clear	SD53TC-PSGE1	SD53CBW-PSGE1	SD53C22-PSGE1	SD53M22-PSGE1

COMPONENT MODEL NUMBERS

Back Box	Lower Dome	Dome Drive*
BB53-PSG-E Environmental Pendant mount, gray 316 SS	LD53PSB-0 Smoked, pendant, black trim ring 316 SS LD53PSB-1 Clear, pendant, black trim ring 316 SS	DD53CBW Color/B-W (NTSC) camera (230X) DD53C22 Color (NTSC) camera (264X) DD53M22 Monochrome (EIA) camera (264X) DD53TC16 Color (NTSC) camera (128X) DD5-FM** Removable, fixed mount bracket only (camera and lens not included). Interchangeable with all Spectra III dome drives.

*For PAL and CCIR models add "-X" suffix to part number. (Example: SD53C22-PSGEO-**X** or DD53C22-**X**)

**DD5-FM is ideal for use with Pelco's CCC1370H-2, CCC1370H-2X, and MCC1370H-2 cameras with selected Pelco lenses.

ELECTRICAL

Input Voltage	18-30 VAC; 24 VAC nominal
Input Power	75 VA nominal
Fuse	1.6A
Auxiliary Outputs	2
Alarm Inputs	7

GENERAL

Construction	316 Stainless steel; gray, polyurethane powder coated finish	
Back Box	316 Stainless steel; black, polyurethane powder coated finish	
Lower Dome Trim Ring	Acrylic, clear or smoked	
Bubble	Through 1.5-inch NPT back box pendant mount	
Cable Entry	Through 1.5-inch NPT back box pendant mount	
Weight (approximate)	Unit	Shipping
Back Box	4.75 lb (2.15 kg)	7 lb (3.18 kg)
Lower Dome	1.83 lb (0.83 kg)	4 lb (1.81 kg)
Dome Drive	2.4 lb (1.09 kg)	4 lb (1.81 kg)
Environment	Indoor/Outdoor	
Operating Temperature	(Assumes no wind chill factor; for detailed test conditions, contact Pelco.)	
Maximum	140°F (60°C) absolute maximum; 122°F (50°C) sustained maximum.	
Minimum	-60°F (-51.11°C) absolute minimum; minimal icing at sustained minimum of -50°F (-45.56°C); prevents icing at sustained minimum of -40°F (-40°C); de-ices 0.1 inch (2.5 mm) within 3 hours after power-up.	

CERTIFICATIONS

- CE, Class B
- UL Listed
- UL Listed to Canadian safety standards
- FCC, Class B
- Meets NEMA Type 4X, IP66 standards when installed properly

OPTIONAL ACCESSORIES

IPS-CABLE	Remote monitor cable and software. See www.pelco.com for a list of compatible devices.
IPS-RDPE-2	Remote data port. 24 VAC, wall/pole mount video/data breakout box. Allows ground-level control/programming and Spectra III OS software upgrades when used with the IPS-RMK or IPS-CABLE.
IPS-RMK	Remote monitor kit.
TXB Series	Translator boards for AD Manchester, Philips (Burle), Sensomatic, and Vicon® protocols.
VC-UTP	Converts video for use with unshielded twisted pair (UTP); maximum distance to passive receiver 500 feet (152 m). Plugs into TXB connector in Spectra back box. Coaxitron-ready when used with passive receiver. Works with all major suppliers of UTP modules. Not for use in conjunction with TXB boards.

FIBER COMPATIBLE PRODUCTS

Fiber optic video transmitter/data receiver modules that plug directly into Spectra III SE and Spectra III back boxes are available through various manufacturers. Consult your fiber optics vendor for models and compatibility. Fiber optic modules cannot be used with TXB translator boards or VC-UTP.

RECOMMENDED POWER SUPPLIES

WCS Series	Single/multiple 24 VAC camera power supply, outdoor
------------	---

RECOMMENDED MOUNT

IDM4012SS	Stainless steel wall mount with feed-through capabilities
-----------	---



Pelco Worldwide Headquarters:

3500 Pelco Way, Clovis, California 93612-5699 USA
USA & Canada Tel: (800) 289-9100 • FAX (800) 289-9150 • DataFAX (800) 289-9108
International Tel: (559) 292-1981 • FAX (559) 348-1120 • DataFAX (559) 292-0435
www.pelco.com

Vicon® is a registered trademark of Vicon Industries, Inc.
 EXview HAD™ is a trademark of Sony Corporation.
 LowLight™ and Spectra III™ are trademarks of Pelco.
 Specifications subject to change without notice.
 ©Copyright 2003, Pelco. All rights reserved.